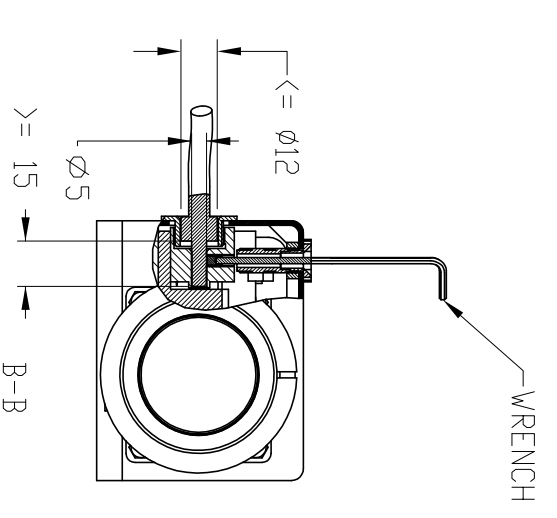
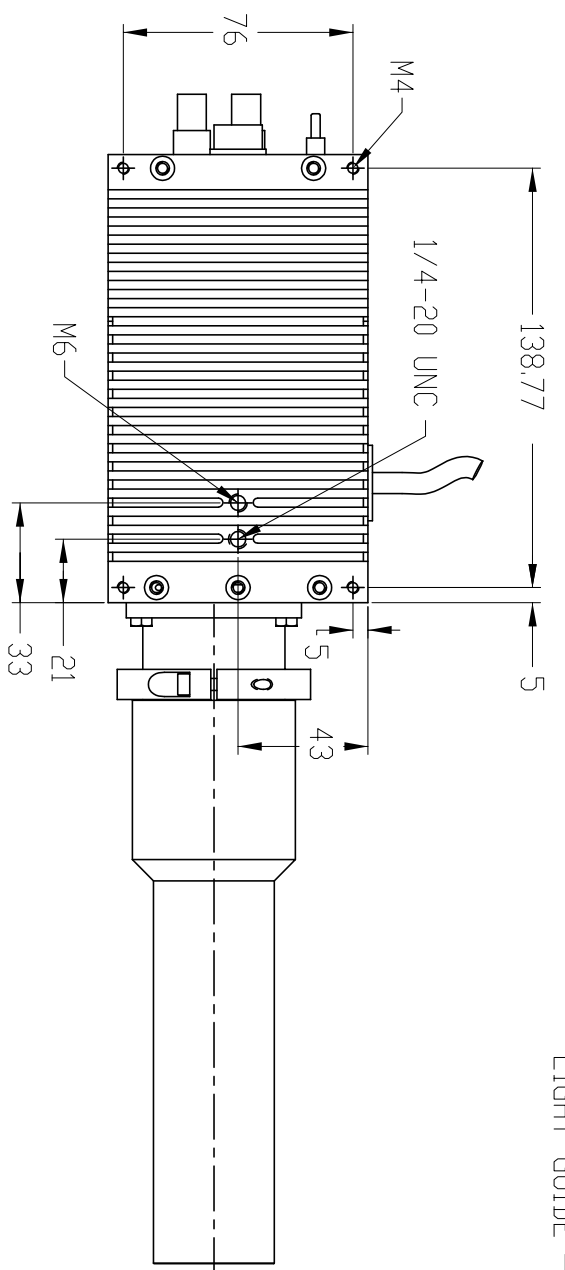
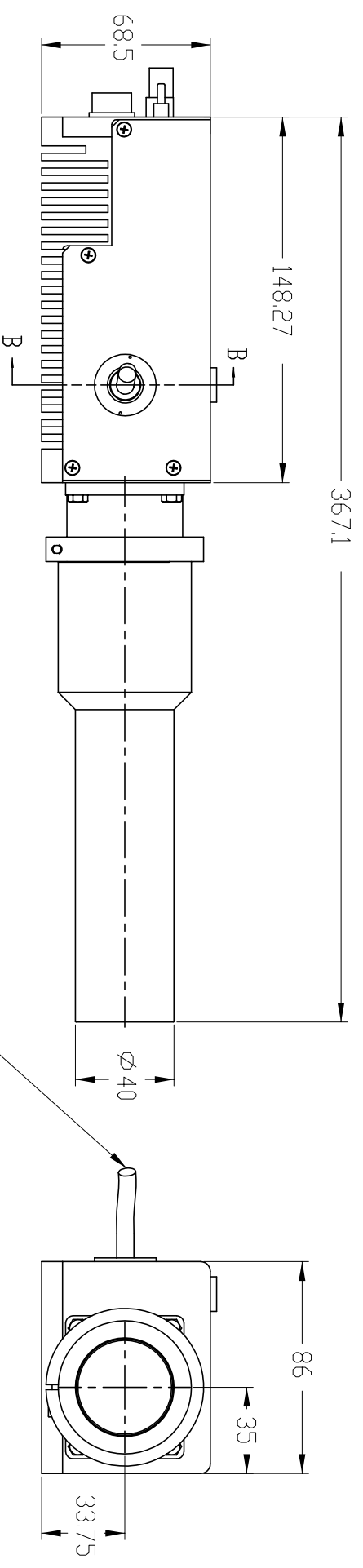


LTR	CD	DATE	CHK
-----	----	------	-----



This document and the information and data contained herein are proprietary to and the exclusive property of Mightex Systems. This document and the information and data contained herein may not be used, copied, published or disclosed without the express prior written consent of Mightex Systems.

MATERIAL:	THE INFORMATION AND DATA CONTAINED HEREIN ARE PROPRIETARY TO AND THE EXCLUSIVE PROPERTY OF MIGHTEX SYSTEMS. THIS DOCUMENT AND THE INFORMATION AND DATA CONTAINED HEREIN MAY NOT BE USED, COPIED, PUBLISHED OR DISCLOSED WITHOUT THE EXPRESS PRIOR WRITTEN CONSENT OF MIGHTEX SYSTEMS.
ALT. MATL.	BROWN
CASE DEPTH	DATE: 07-24-02
HARDNESS	ROHS: INSIDE
SURFACE TREATMENT:	UNLESS OTHERWISE SPECIFIED, ALL DIMENSIONS ARE IN MM
	ROUNDER * 6.3 SURFACE FINISH
	THIRD ANGLE PROJ
	SIZE: NOD. 192000
	SHEET 2 OF 3

Mightex Systems